

Extremely Accurate Power Surveillance, Software Monitoring and Sleep Mode Detection

Features

- Can-bus sleep mode detector
- Standby mode, maximum current 50 μ A
- Reset output guaranteed for V_{DD} voltage down to 1.2 V
- Comparator for voltage monitoring, voltage reference 1.275 V
- $\pm 1.2\%$ voltage reference accuracy at $+25^\circ\text{C}$
- $\pm 2.5\%$ voltage reference accuracy from -40 to $+85^\circ\text{C}$ (3 to 5.5 V)
- Programmable reset voltage monitoring
- Programmable power-on reset (POR) delay
- Watchdog with programmable time windows guarantees a minimum time and a maximum time between software clearing of the watchdog
- Time base accuracy $\pm 10\%$
- System enable output offers added security
- TTL / CMOS compatible
- -40 to $+85^\circ\text{C}$ temperature range
- On request extended temperature range, -40 to $+125^\circ\text{C}$
- DIP8 and SO8 packages

Description

The V6155 offers a high level of integration by voltage monitoring and software monitoring in an 8 lead package. A comparator monitors the voltage applied at the V_{IN} input comparing it with an internal 1.275 V reference. The power-on reset function is initialized after V_{IN} reaches 1.275 V and takes the reset output inactive after T_{POR} depending of external resistance. The reset output goes active low when the V_{IN} voltage is less than 1.275 V. The \overline{RES} and \overline{EN} outputs are guaranteed to be in a correct state for a supply voltage as low as 1.2 V. The watchdog function monitors software cycle time and execution. If software clears the watchdog too quickly (incorrect cycle time) or too slowly (incorrect execution), it will cause the system to be reset. The system enable output prevents critical control functions being activated until software has successfully cleared the watchdog three times. Such a security could be used to prevent motor controls being energized on repeated resets of a faulty system. If the microcontroller does not work that means no signal on the \overline{TCL} input the V6155 goes in a standby mode (CAN-bus sleep detector).

Applications

- Automotive systems
- Cellular telephones
- Security systems
- Battery powered products
- High efficiency linear power supplies
- Industrial electronics

Typical Operating Configuration

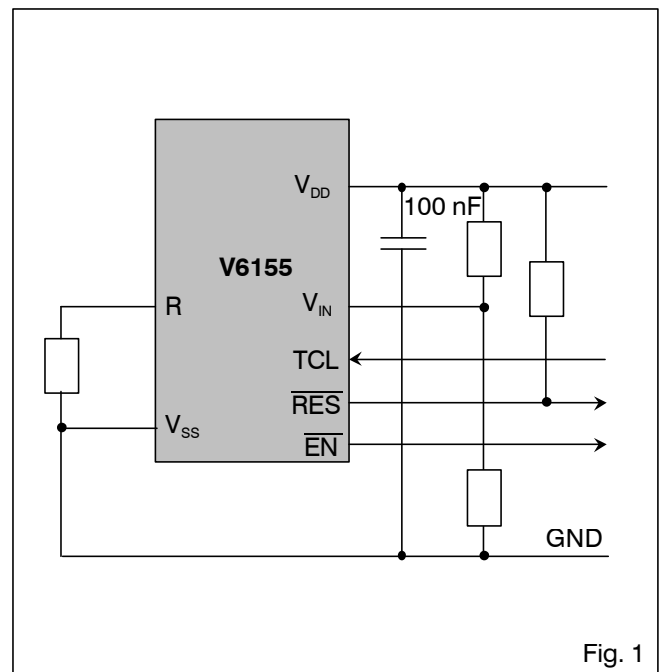


Fig. 1

Pin Assignment

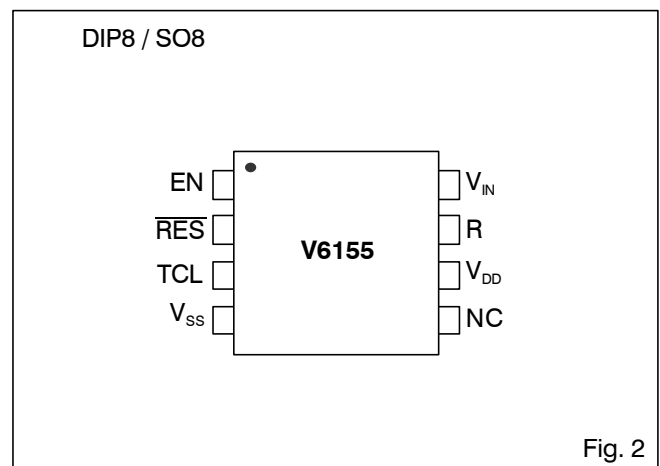
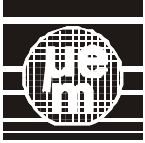


Fig. 2



Absolute Maximum Ratings

Parameter	Symbol	Conditions
Maximum voltage at V_{DD}	V_{DDmax}	$V_{SS} + 8 V$
Minimum voltage at V_{DD}	V_{DDmin}	$V_{SS} - 0.3 V$
Max. voltage at any signal pin	V_{MAX}	$V_{DD} + 0.3 V$
Min. voltage at any signal pin	V_{MIN}	$V_{SS} - 0.3 V$
Storage temperature	T_{STO}	-65 to +150 °C
Electrostatic discharge max. to MIL-STD-883C method 3015	V_{Smax}	1000 V
Max. soldering conditions	T_{Smax}	250 °C x 10 s

Table 1

Stresses above these listed maximum ratings may cause permanent damage to the device. Exposure beyond specified operating conditions may affect device reliability or cause malfunction.

Handling Procedures

This device has built-in protection against high static voltages or electric fields; however, anti-static precautions should be taken as for any other CMOS component. Unless otherwise specified, proper operation can only occur when all terminal voltages are kept

within the supply voltage range. Unused inputs must always be tied to a defined logic voltage level.

Operating Conditions

Parameter	Symbol	Min.	Typ.	Max.	Units
Operating temperature ¹⁾	T_A	-40		+125	°C
Supply voltage ²⁾	V_{DD}	1.2		7.0	V
RES & EN guaranteed ³⁾	V_{DD}	1.2			V
Comparator input voltage	V_{IN}	0		V_{DD}	V
RC-oscillator programming	R	10		1000	kΩ

Table 2

¹⁾ The maximum operating temperature is confirmed by sampling at initial device qualification. In production, all devices are tested at +85 °C. On request devices tested at +125 °C can be supplied.

²⁾ A 100 nF decoupling capacitor is required on the supply voltage V_{DD} for stability.

³⁾ RES must be pulled up externally to V_{DD} even if it is unused. (Note: RES and EN are used as inputs by EM test.)

Electrical Characteristics

$3 \leq V_{DD} \leq 5.5 V$, $C = 100 nF$, $T_A = -40$ to $+85$ °C, unless otherwise specified

Parameter	Symbol	Test Conditions	Min.	Typ.	Max.	Units
Supply current in standby mode (switched to R_{INT})	I_{SS}	$R_{EXT} = \text{don't care}$, $TCL = V_{DD}$ $V_{IN} = V_{DD}$		34	50	μA
Supply current	I_{SS}	$R_{EXT} = 100 k\Omega$, I/Ps at V_{DD}		55	100	μA
RES and EN						
Output Low Voltage	V_{OL}	$V_{DD} = 4.5 V$, $I_{OL} = 20 mA$		0.4		V
	V_{OL}	$V_{DD} = 4.5 V$, $I_{OL} = 8 mA$		0.2	0.4	V
	V_{OL}	$V_{DD} = 2.0 V$, $I_{OL} = 4 mA$		0.2	0.4	V
	V_{OL}	$V_{DD} = 1.2 V$, $I_{OL} = 0.5 mA$		0.05	0.2	V
EN						
Output High Voltage	V_{OH}	$V_{DD} = 4.5 V$, $I_{OH} = -1 mA$	3.5	4.1		V
	V_{OH}	$V_{DD} = 2.0 V$, $I_{OH} = -100 \mu A$	1.8	1.9		V
	V_{OH}	$V_{DD} = 1.2 V$, $I_{OH} = -30 \mu A$	1.0	1.1		V
TCL and V_{IN}						
TCL Input Low Level	V_{IL}		V_{SS}		0.8	V
TCL Input High Level	V_{IH}		2.0		V_{DD}	V
Leakage current TCL input	I_{LI}	$V_{SS} \leq V_{TCL} \leq V_{DD}$		0.05	1	μA
V_{IN} input resistance	R_{VIN}			100		MΩ
Comparator reference ¹⁾	V_{REF}	$T_A = +25$ °C	1.25	1.275	1.30	V
	V_{REF}		1.24		1.31	V
	V_{REF}	$T_A = -40$ to $+125$ °C	1.22		1.31	V
Comparator hysteresis ¹⁾	V_{HY}			2		mV

Table 3

¹⁾ The comparator reference is the power-down reset threshold. The power-on reset threshold equals the comparator reference voltage plus the comparator hysteresis (see Fig. 6).



I_{SS} Standby versus Temperature at $V_{DD} = 5.5\text{ V}$

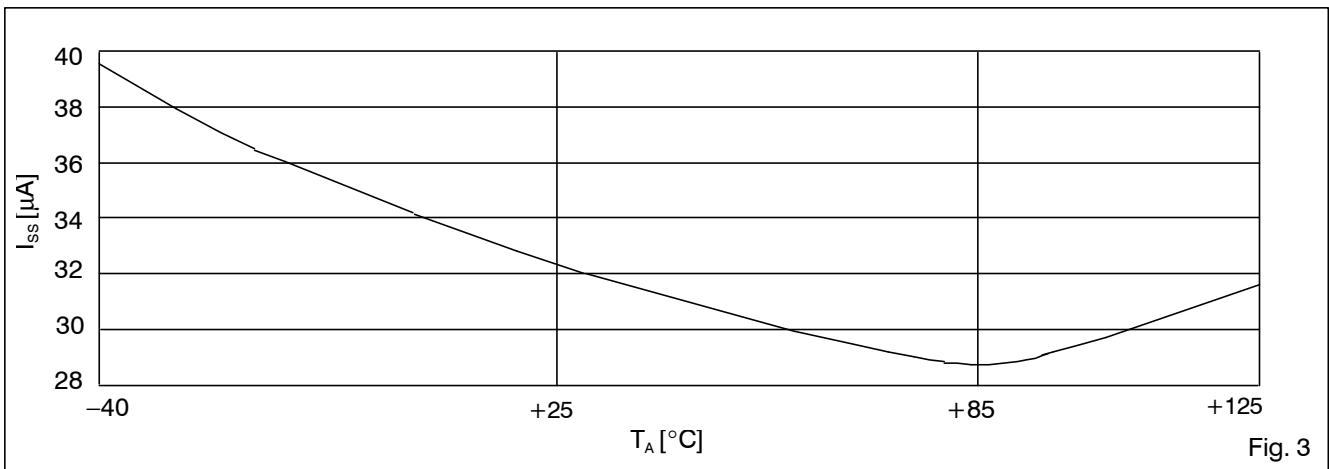


Fig. 3

Timing Characteristics

$V_{DD} = 5.0\text{ V} \pm 3\%$, $C = 100\text{ nF}$, $T_A = -40\text{ to }+85\text{ °C}$, unless otherwise specified

Parameter	Symbol	Test Conditions	Min.	Typ.	Max.	Units
Propagation delays: TCL to Output Pins	T_{DIDO}			250	500	ns
V_{IN} sensitivity	T_{SEN}		1	5	20	µs
Logic Transition Times on all Output Pins	T_{TR}	Load $10\text{ k}\Omega$, 50 pF		30	100	ns
Power-on Reset delay	T_{POR}	$R_{EXT} = 110\text{ k}\Omega$, $\pm 1\%$	90	100	110	ms
Watchdog Time	T_{WD}	$R_{EXT} = 110\text{ k}\Omega$, $\pm 1\%$	90	100	110	ms
Open Window Percentage	OWP			$\pm 0.2 T_{WD}$		
Closed Window Time	T_{CW}			$0.8 T_{WD}$		
	T_{CW}	$R_{EXT} = 110\text{ k}\Omega$, $\pm 1\%$	72	80	88	ms
Open Window Time	T_{OW}			$0.4 T_{WD}$		
	T_{OW}	$R_{EXT} = 110\text{ k}\Omega$, $\pm 1\%$	36	40	44	ms
Watchdog Reset Pulse	T_{WDR}			$T_{WD}/40$		
	T_{WDR}	$R_{EXT} = 110\text{ k}\Omega$, $\pm 1\%$		2.5		ms
T_{CL} Input Pulse Width	T_{TCL}		150			ns
Reset Pulse when switched to R internal	T_{RI}		0.3	0.9	2.3	s
Watchdog Reset Pulse with R internal (R _i)	T_{RIR}			$T_{RI}/320$		s

Table 4

T_{RI} versus Temperature at $V_{DD} = 5\text{ V}$

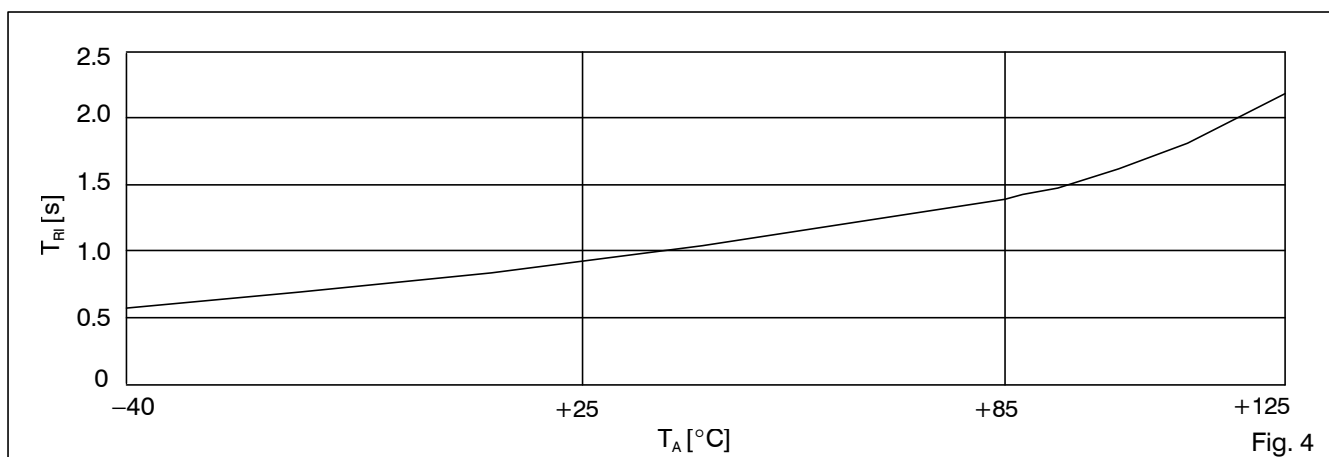
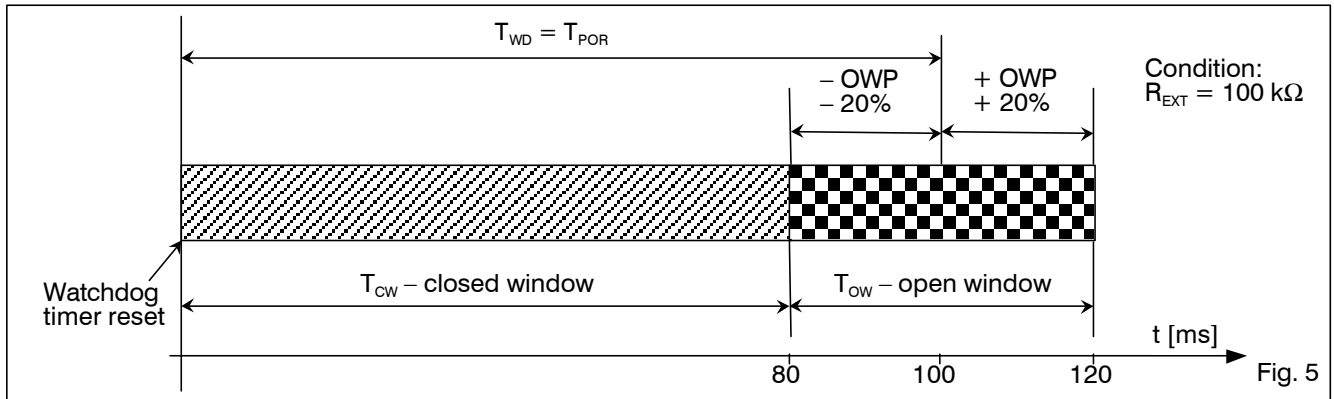


Fig. 4

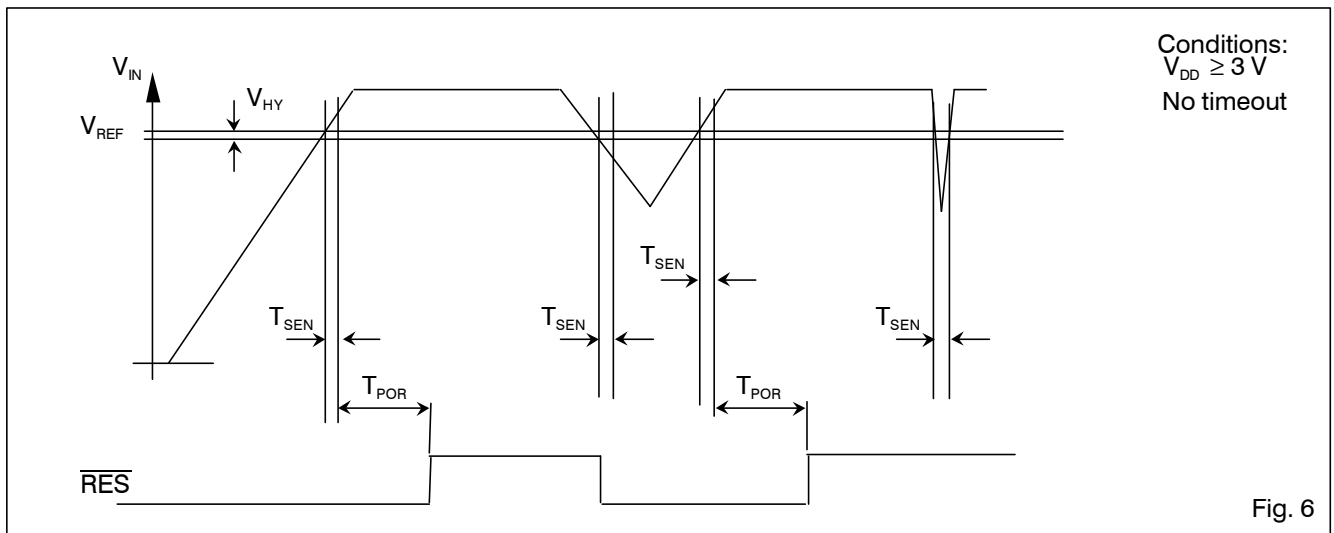


Timing Waveforms

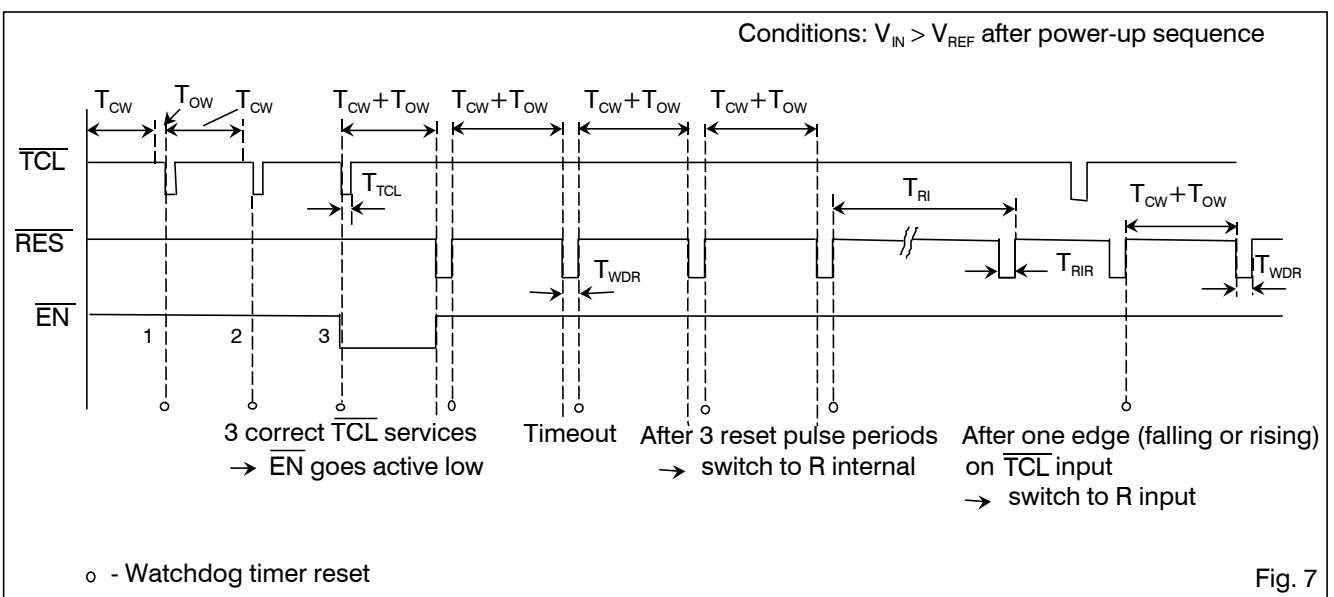
Watchdog Timeout Period



Voltage Monitoring

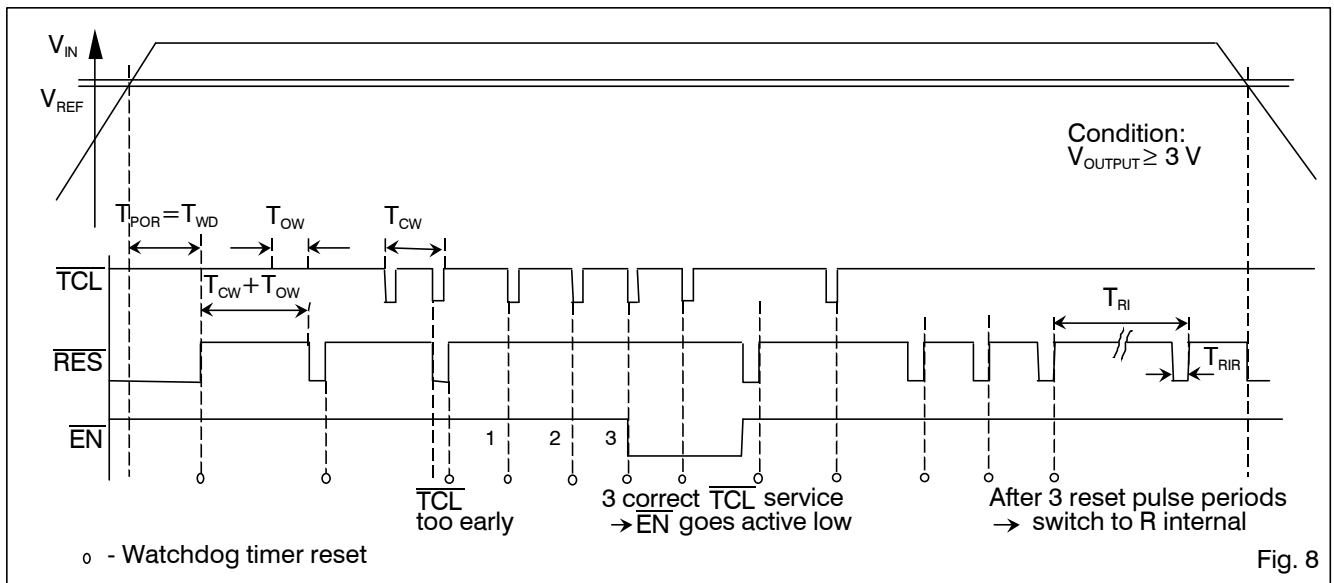


Timer Reaction

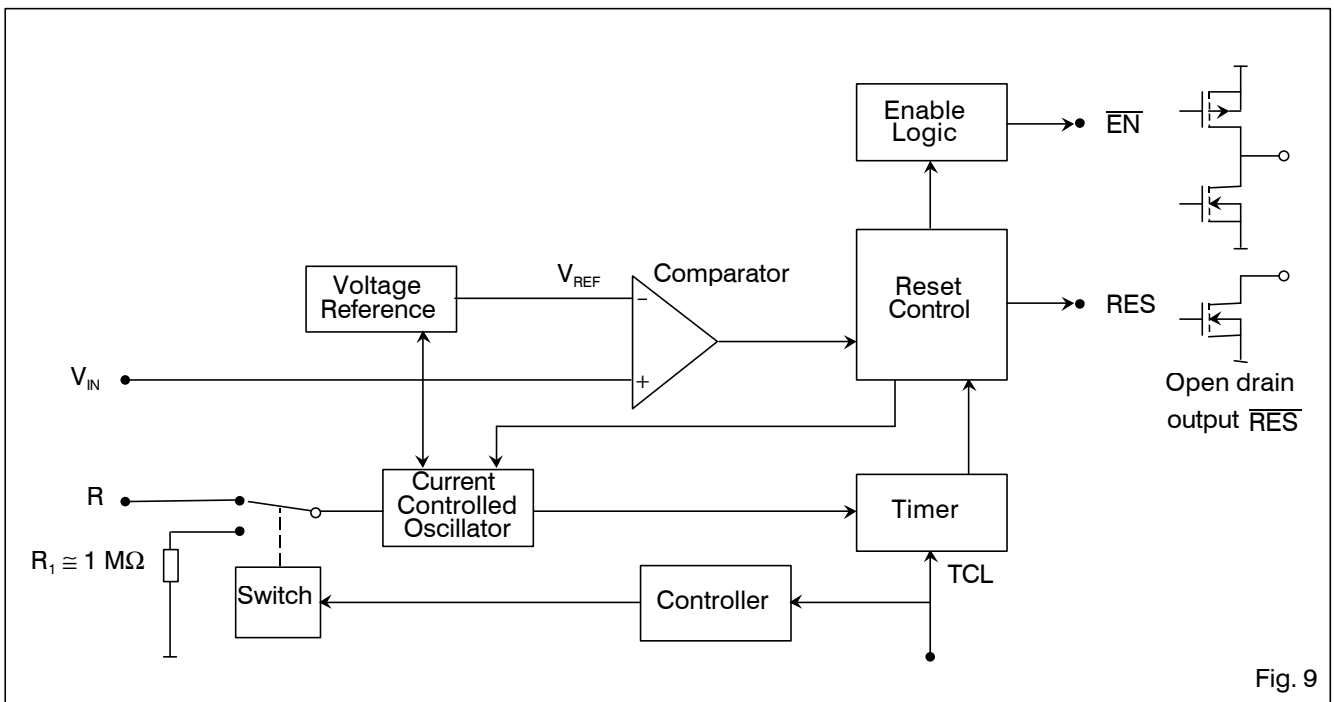


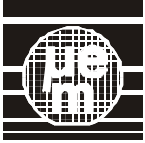


Combined Voltage and Timer Reaction



Block Diagram





Pin Description

Pin	Name	Function
1	EN	Push-pull active low enable output
2	$\overline{\text{RES}}$	Open drain active low reset output. $\overline{\text{RES}}$ must be pulled up to V_{DD} even if unused
3	$\overline{\text{TCL}}$	Watchdog timer clear input signal
4	V_{SS}	GND terminal
5	NC	No connection
6	V_{DD}	Voltage supply
7	R	R_{EXT} input for RC oscillator tuning
8	V_{IN}	Voltage comparator input

Table 5

Functional Description

V_{IN} Monitoring

The power-on reset and the power-down reset are generated as a response to the external voltage level on the V_{IN} input. The external voltage level is typically obtained from a voltage divider as shown in Fig. 10. The user uses an external voltage divider to set the desired threshold level for power-on reset and power-down reset in his system. The internal comparator reference voltage is typically 1.275 V.

At power-up the reset output ($\overline{\text{RES}}$) is held low (see Fig. 6). When V_{IN} becomes greater than V_{REF} , the RES output is held low for an additional power-on reset (POR) delay which is equal to the watchdog time T_{WD} (typically 100 ms with an external resistor of 110 k Ω connected at R pin). The POR delay prevents repeated toggling of RES even if V_{IN} and the INPUT voltage drops out and recovers. The POR delay allows the microprocessor's crystal oscillator time to start and stabilize and ensures correct recognition of the reset signal to the microprocessor.

The $\overline{\text{RES}}$ output goes active low generating the power-down reset whenever V_{IN} falls below V_{REF} . The sensitivity or reaction time of the internal comparator to the voltage level on V_{IN} is typically 5 μs .

Timer Programming

The on-chip oscillator needs an external resistor R_{EXT} connected between the R pin and V_{SS} (see Fig. 10). It allows the user to adjust the power-on reset (POR) delay, watchdog time T_{WD} and with this also the closed and open time windows as well as the watchdog reset pulse width ($T_{\text{WD}}/40$).

With $R_{\text{EXT}} = 110 \text{ k}\Omega$, the typical values are:

- Power-on reset delay: T_{POR} is 100 ms
- Watchdog time: T_{WD} is 100 ms
- Closed window: T_{CW} is 80 ms
- Open window: T_{OW} is 40 ms
- Watchdog reset: T_{WDR} is 2.5 ms

Note the current consumption increases as the frequency increases.

Watchdog Timeout Period Description

The watchdog timeout period is divided into two parts, a "closed" window and an "open" window (see Fig. 5) and is defined by two parameters, T_{WD} and the Open Window Percentage (OWP).

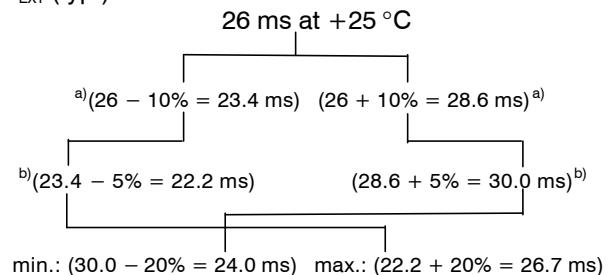
The closed window starts just after the watchdog timer resets and is defined by $T_{\text{CW}} = T_{\text{WD}} - \text{OWP}(T_{\text{WD}})$.

The open window starts after the closed time window finishes and lasts till $T_{\text{WD}} + \text{OWP}(T_{\text{WD}})$. The open window time is defined by $T_{\text{OW}} = 2 \times \text{OWP}(T_{\text{WD}})$.

For example if $T_{\text{WD}} = 100 \text{ ms}$ (actual value) and $\text{OWP} = \pm 20\%$ this means the closed window lasts during first the 80 ms ($T_{\text{CW}} = 80 \text{ ms} = 100 \text{ ms} - 0.2 (100 \text{ ms})$) and the open window the next 40 ms ($T_{\text{OW}} = 2 \times 0.2 (100 \text{ ms}) = 40 \text{ ms}$). The watchdog can be serviced between 80 ms and 120 ms after the timer reset. However as the time base is $\pm 10\%$ accurate, software must use the following calculation for servicing signal $\overline{\text{TCL}}$ during the open window:

Related to curves (Fig. 11 to Fig. 21), especially Fig. 20 and Fig. 21, the relation between T_{WD} and R_{EXT} could easily be defined. Let us take an example describing the variations due to production and temperature:

1. Choice, $T_{\text{WD}} = 26 \text{ ms}$.
2. Related to Fig. 21, the coefficient (T_{WD} to R_{EXT}) is 1.025 where R_{EXT} is in k Ω and T_{WD} in ms.
3. $R_{\text{EXT}} (\text{typ.}) = 26 \times 1.025 = 26.7 \text{ k}\Omega$.
- 4.



Typical $\overline{\text{TCL}}$ period of $(24.0 + 26.7) / 2 = 25.4 \text{ ms}$

The ratio between $T_{\text{WD}} = 26 \text{ ms}$ and the ($\overline{\text{TCL}}$ period) = 25.4 ms is 0.975.

Then the relation over the production and the full temperature range is, $\overline{\text{TCL}}$ period = 0.975 x T_{WD}

or $\overline{\text{TCL}}$ period = $\frac{0.975 \times R_{\text{EXT}}}{1.025}$, as typical value.

- a) While PRODUCTION value unknown for the customer when $R_{\text{EXT}} \neq 110 \text{ k}\Omega$.
- b) While operating TEMPERATURE range $-40 \text{ }^\circ\text{C} \leq T_{\text{A}} \leq +85 \text{ }^\circ\text{C}$.
5. If you fixed a $\overline{\text{TCL}}$ period = 26 ms
 $\Rightarrow R_{\text{EXT}} = \frac{26 \times 1.025}{0.975} = 27.3 \text{ k}\Omega$

If during your production the T_{WD} time can be measured at $T_{\text{A}} = +25 \text{ }^\circ\text{C}$ and the μC can adjust the $\overline{\text{TCL}}$ period, then the $\overline{\text{TCL}}$ period range will be much larger for the full operating temperature.



Timer Clearing and RES Action

The watchdog circuit monitors the activity of the processor. If the user's software does not send a pulse to the TCL input within the programmed open window timeout period, a short watchdog RES pulse is generated which is equal to $T_{WD}/40 = 2.5 \text{ ms}$ typically (see Fig. 7).

With the open window constraint, new security is added to conventional watchdogs by monitoring both software cycle time and execution. Should software clear the watchdog too quickly (incorrect cycle time) or too slowly (incorrect execution) it will cause the system to be reset. If the software is stuck in a loop which includes the routine to clear the watchdog, then a conventional watchdog will not reset even though the software is malfunctioning; the V6155 will generate a system reset because the watchdog is cleared too quickly.

If no TCL pulse is applied before the closed and open windows expire, RES will start to generate square waves of period $(T_{CW} + T_{OW} + T_{WDR})$. The watchdog will remain in this state until the next TCL falling edge appears during an open window, or until a fresh power-up sequence. The system enable output, EN, can be used to prevent critical control functions being activated in the event of the system going into this failure mode (see section "Enable - EN Output").

The RES output must be pulled up to V_{DD} even if the output is not used by the system (see Fig. 10).

Combined Voltage and Timer Action

The combination of voltage and timer actions is illustrated by the sequence of events shown in Fig. 8. On power-up, when the voltage at V_{IN} reaches V_{REF} , the power-on reset, POR, delay is initialized and holds RES active for the time of the POR delay. A TCL pulse will have no effect until this power-on reset delay is completed. After the POR delay has elapsed, RES goes inactive and the watchdog timer starts acting. If no TCL pulse occurs, RES goes active low for a short time T_{WDR}

after each closed and open window period. A TCL pulse coming during the open window clears the watchdog timer. When the TCL pulse occurs too early (during the closed window), RES goes active and a new timeout sequence starts. A voltage drop below the V_{REF} level for longer than typically $5 \mu\text{s}$, overrides the timer and immediately forces RES active and EN inactive. Any further TCL pulse has no effect until the next power-up sequence has completed.

Enable - EN Output

The system enable output, EN, is inactive always when RES is active and remains inactive after a RES pulse until the watchdog is serviced correctly 3 consecutive times (i.e. the TCL pulse must come in the open window). After three consecutive services of the watchdog with TCL during the open window, the EN goes active low.

A malfunctioning system would be repeatedly reset by the watchdog. In a conventional system critical motor controls could be energized each time reset goes inactive (time allowed for the system to restart) and in this way the electrical motors driven by the system could function out of control. The V6155 prevents the above failure mode by using the EN output to disable the motor controls until software has successfully cleared the watchdog three times (i.e. the system has correctly restarted after a reset condition).

CAN-Bus Sleep Mode Detector

If the microcontroller is in standby mode that means it does not have any pulses on the TCL input. After 3 reset pulse periods $(T_{CW} + T_{OW} + T_{WDR})$ on the RES output, the V6155 switches on an internal resistor of $1 \text{ M}\Omega$, and it will have a reset pulse of typically 3 ms every 1 second on the RES output. When a TCL edge (rising or falling) appears on the TCL input or the power supply goes down and up, the V6155 switches to the R input.

Typical Application

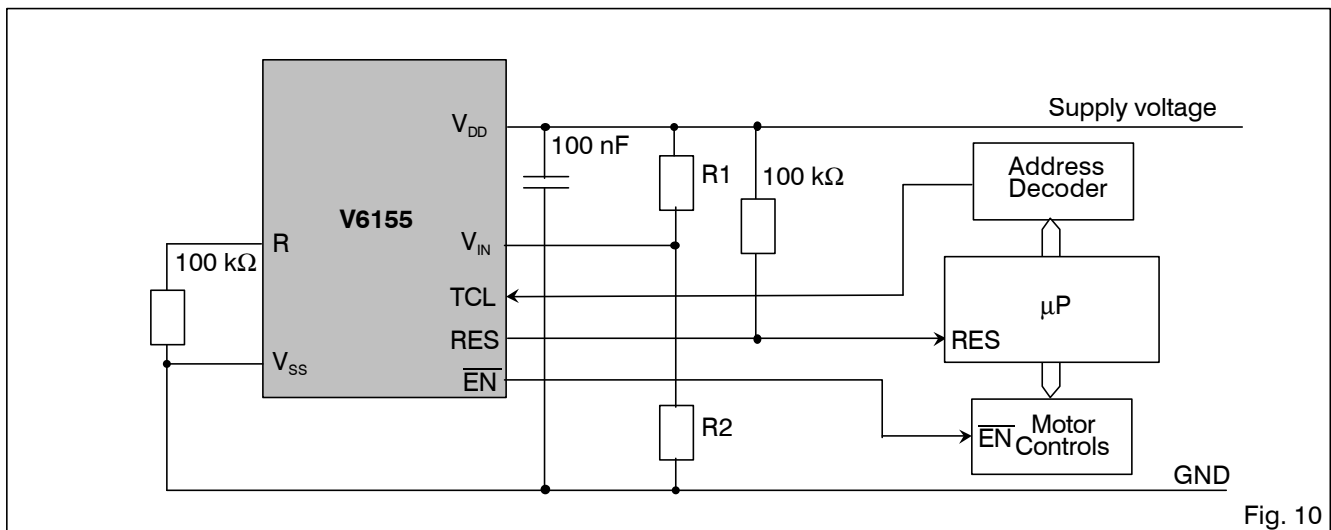


Fig. 10



V_{REF} versus V_{DD} at $T_A = -40\text{ }^\circ\text{C}$, $+25\text{ }^\circ\text{C}$, $+85\text{ }^\circ\text{C}$

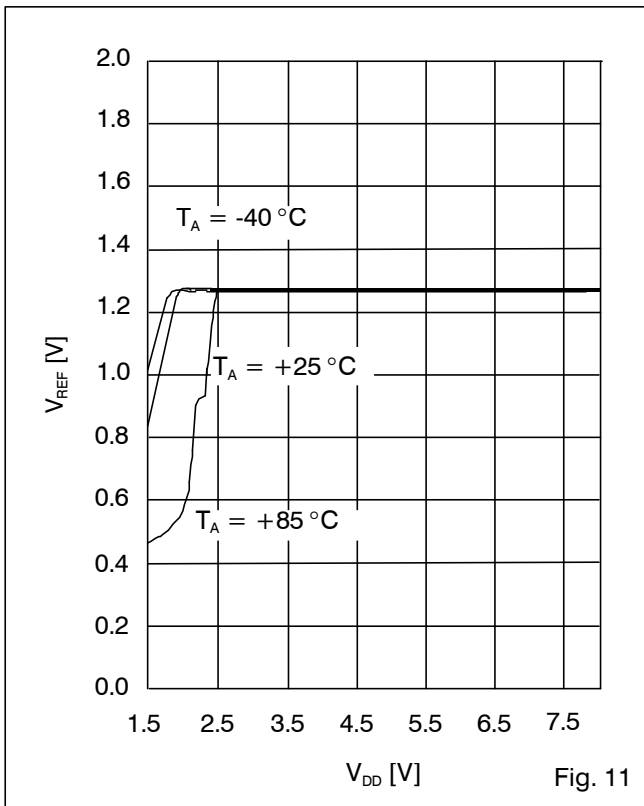


Fig. 11

V_{REF} versus V_{DD} at $T_A = -40\text{ }^\circ\text{C}$, $+25\text{ }^\circ\text{C}$, $+85\text{ }^\circ\text{C}$

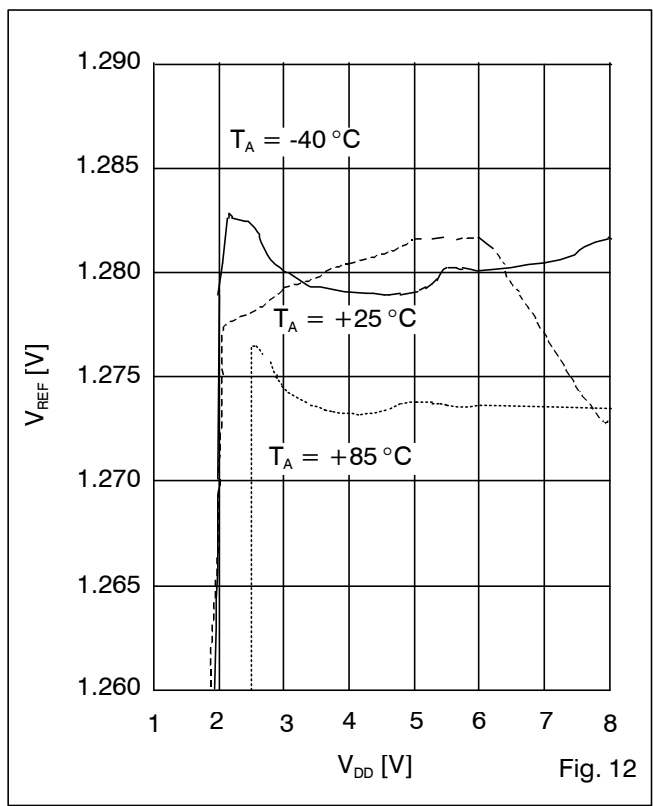


Fig. 12

V_{REF} versus Temperature at $V_{DD} = 3\text{ V}$, 5 V and 8 V

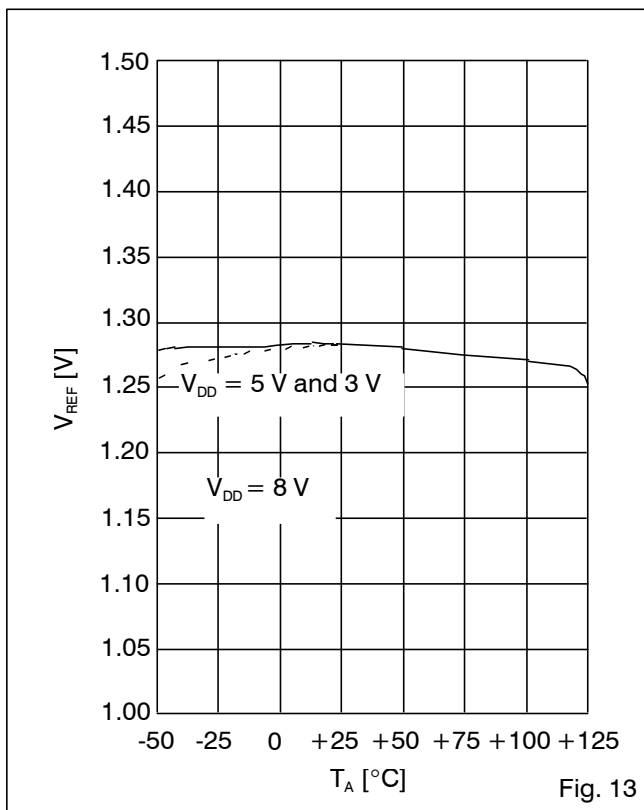


Fig. 13

V_{REF} versus Temperature at $V_{DD} = 3\text{ V}$, 5 V and 8 V

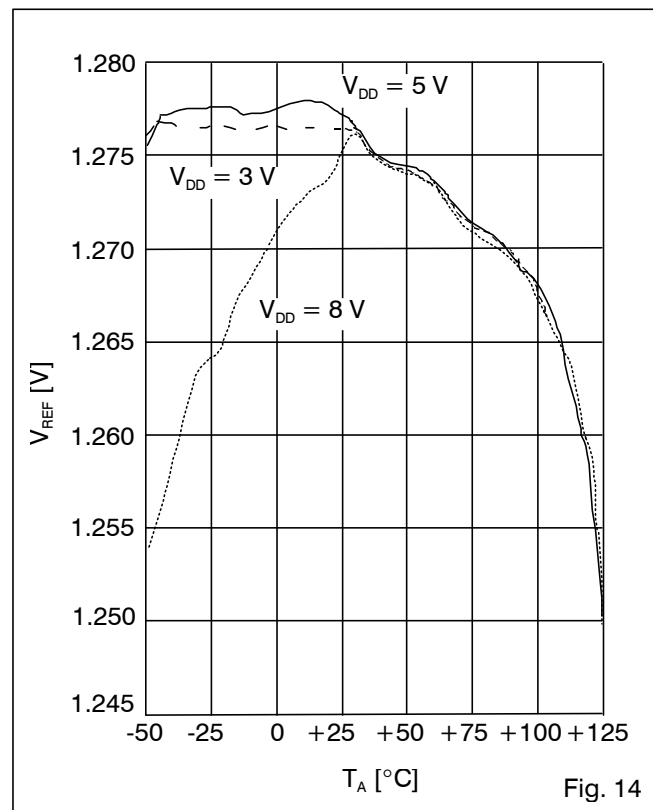
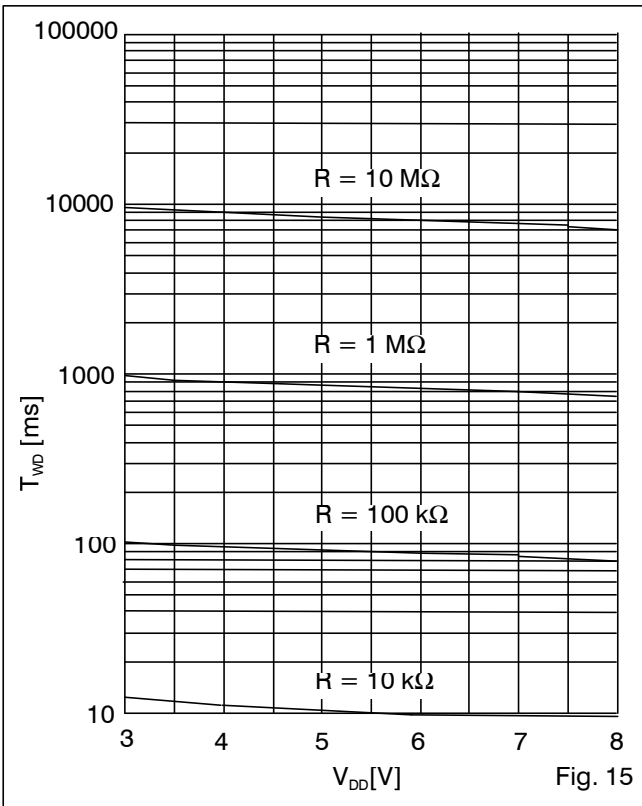


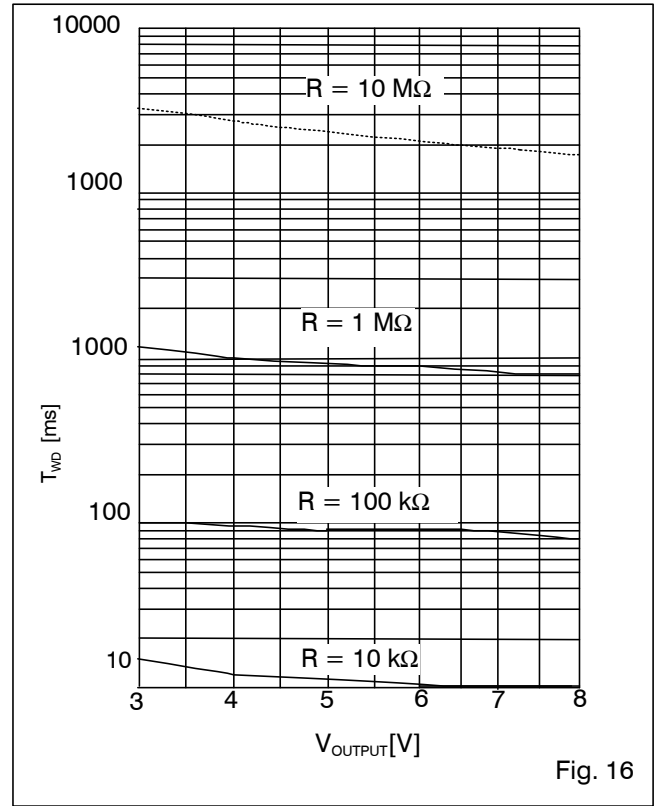
Fig. 14



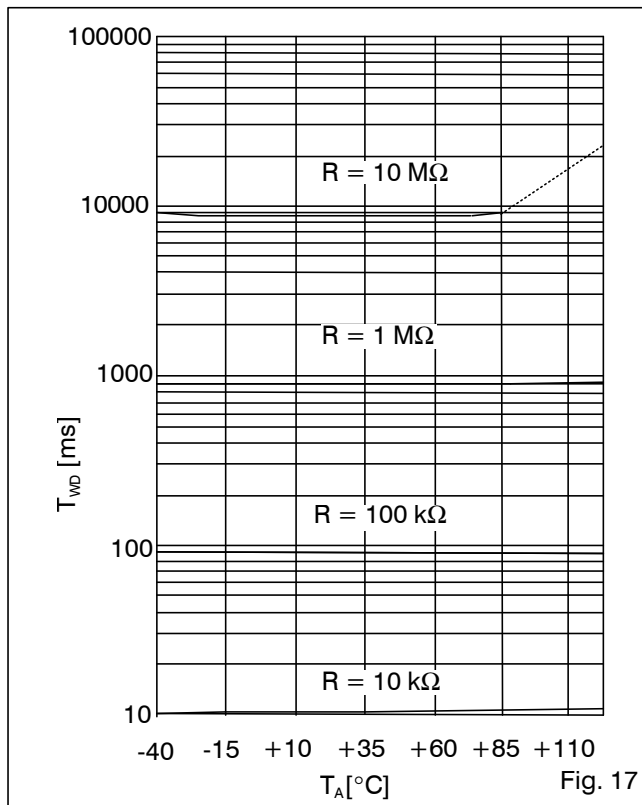
T_{WD} versus Supply Voltage at $T_A \leq +85^\circ\text{C}$



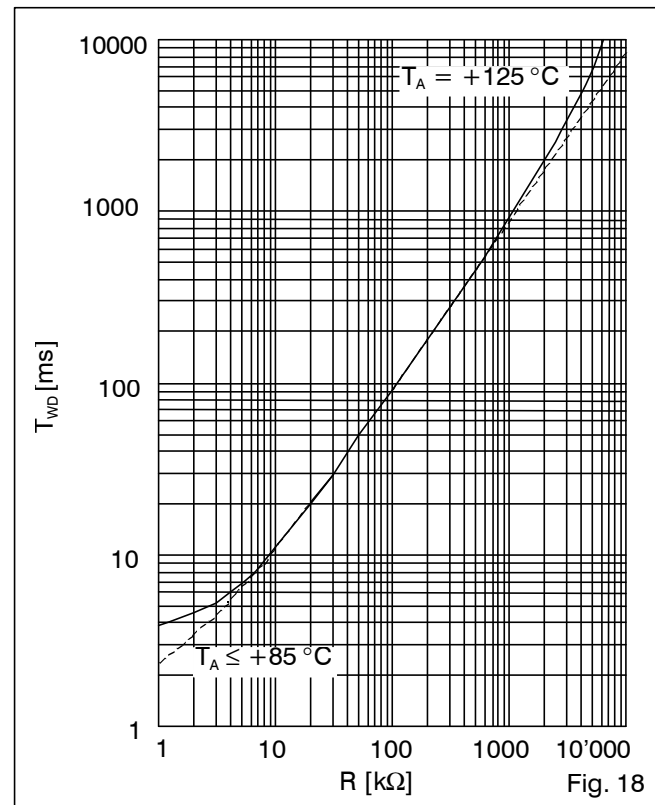
T_{WD} versus V_{DD} at $T_A = +125^\circ\text{C}$



T_{WD} versus Temperature at $V_{DD} = 5\text{ V}$



T_{WD} versus R at $V_{DD} = 5\text{ V}$





T_{WD} versus R at $V_{DD} = 5\text{ V}$

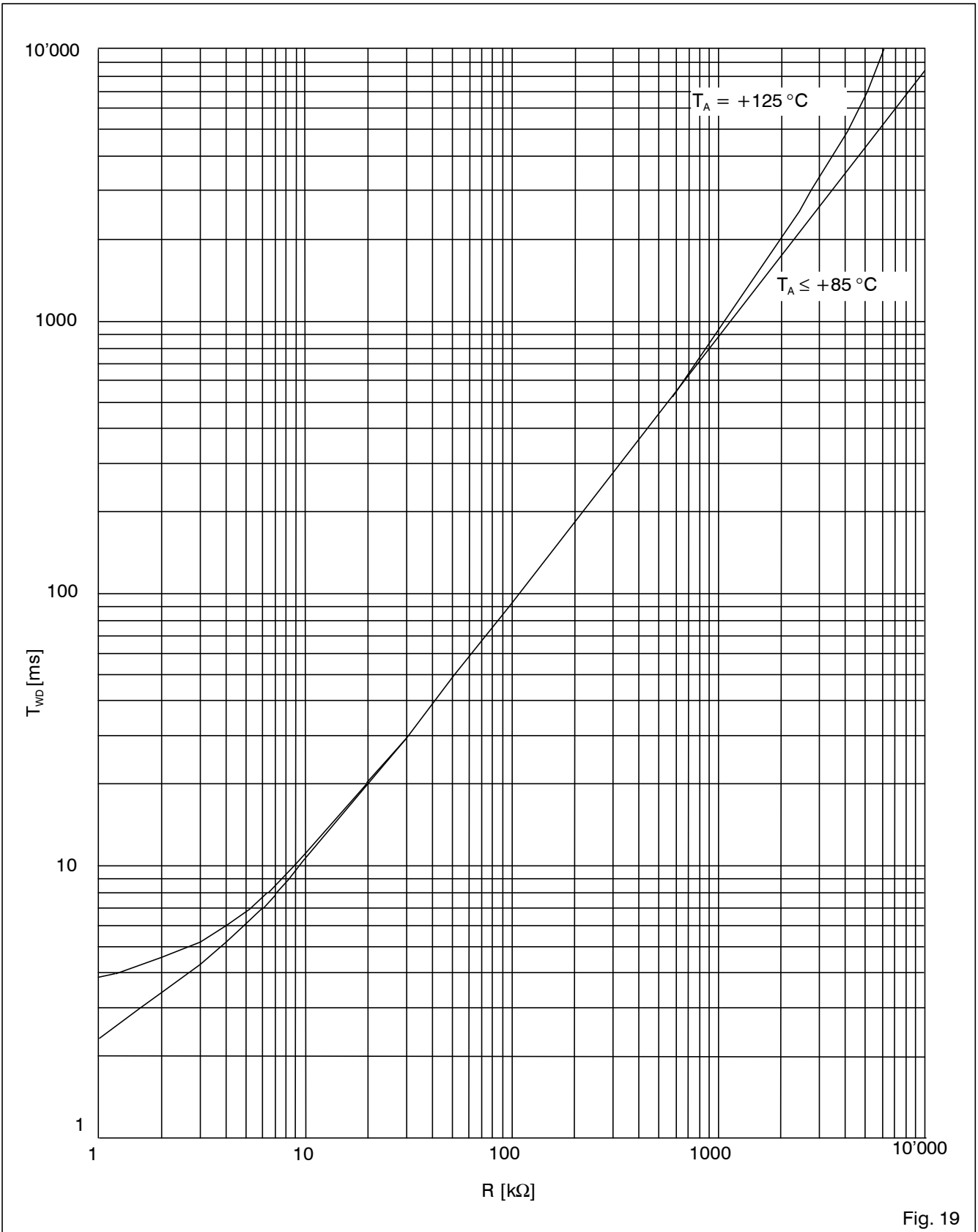
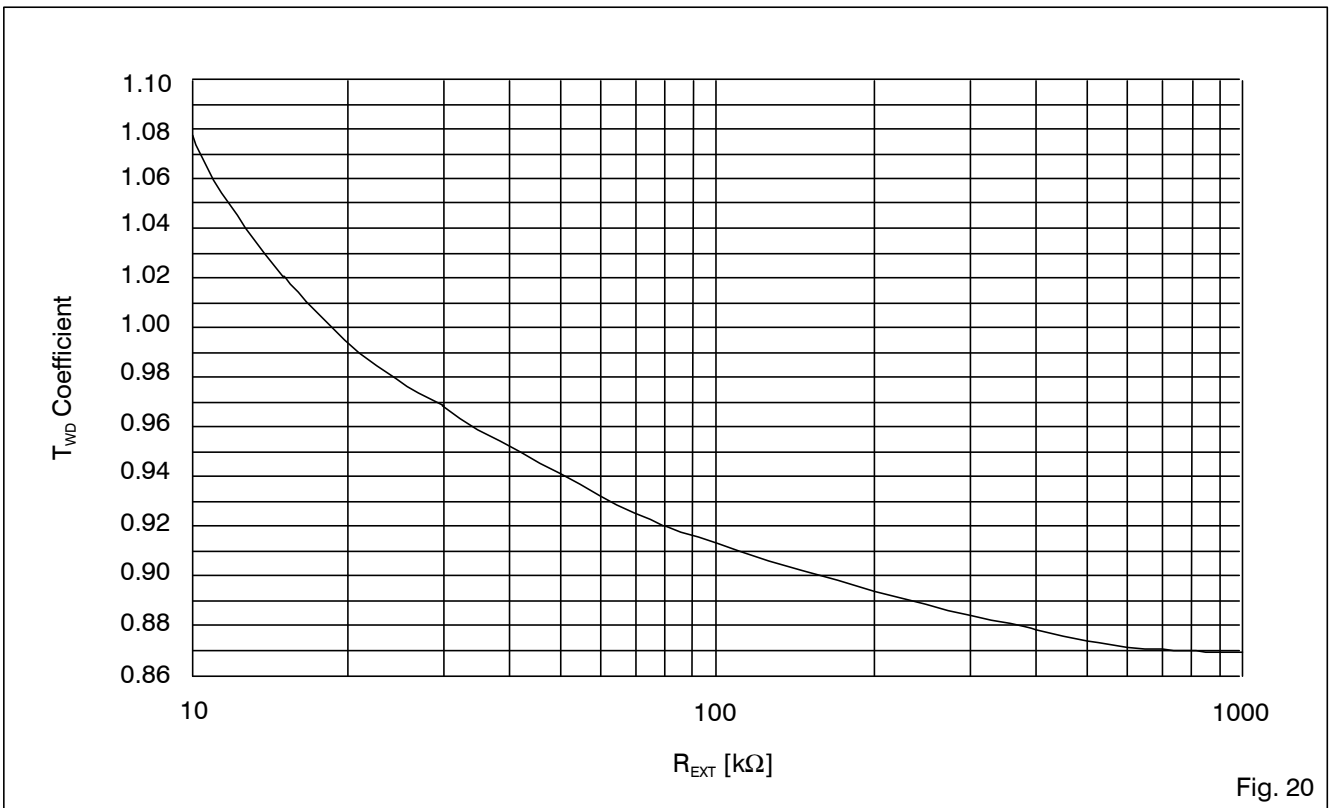


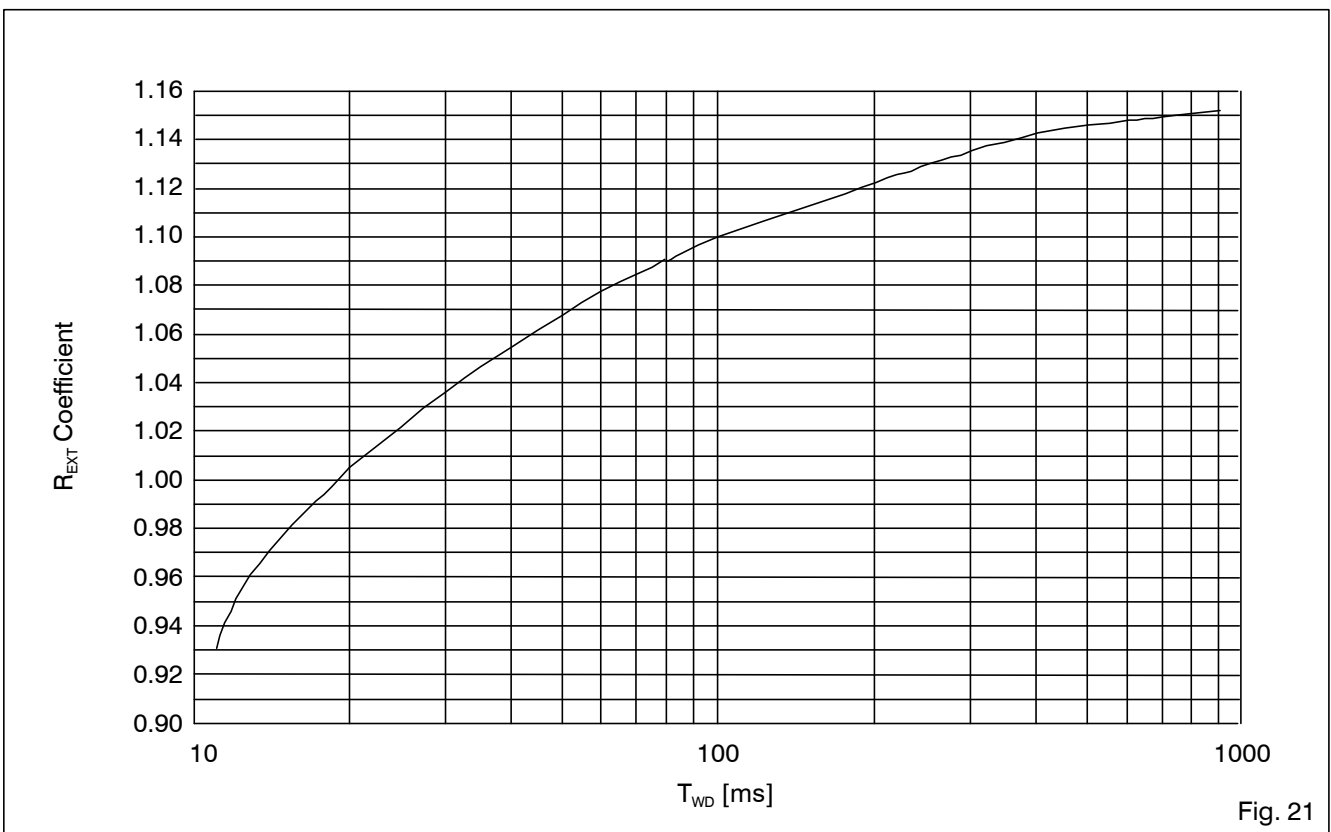
Fig. 19

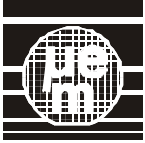


T_{WD} Coefficient versus R_{EXT} at $T_A = +25\text{ }^\circ\text{C}$



R_{EXT} Coefficient versus T_{WD} at $T_A = +25\text{ }^\circ\text{C}$





V6155

Ordering Information

The V6155 is available in the following packages:

Type	Package
V6155 8P	DIP8
V6155 8S	SO8

When ordering please specify complete part number.

EM Microelectronic-Marin SA cannot assume any responsibility for use of any circuitry described other than entirely embodied in an EM Microelectronic-Marin SA product. EM Microelectronic-Marin SA reserves the right to change the circuitry and specifications without notice at any time. You are strongly urged to ensure that the information given has not been superseded by a more up-to-date version.

© 2000 EM Microelectronic-Marin SA, 10/00, Rev. C/311